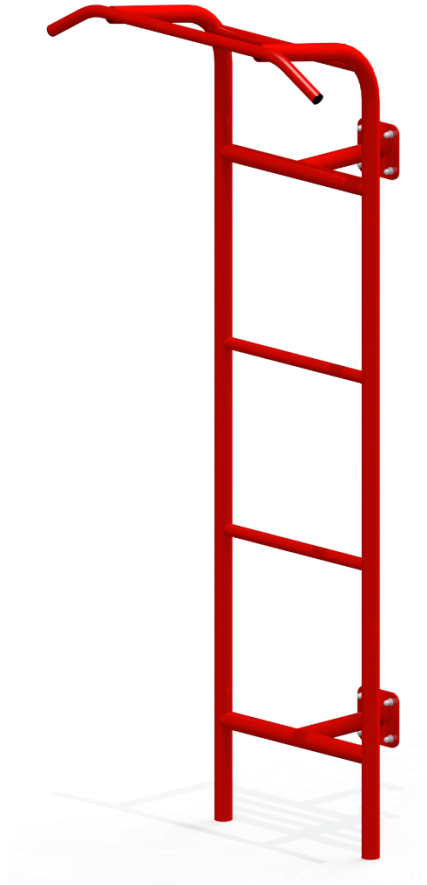


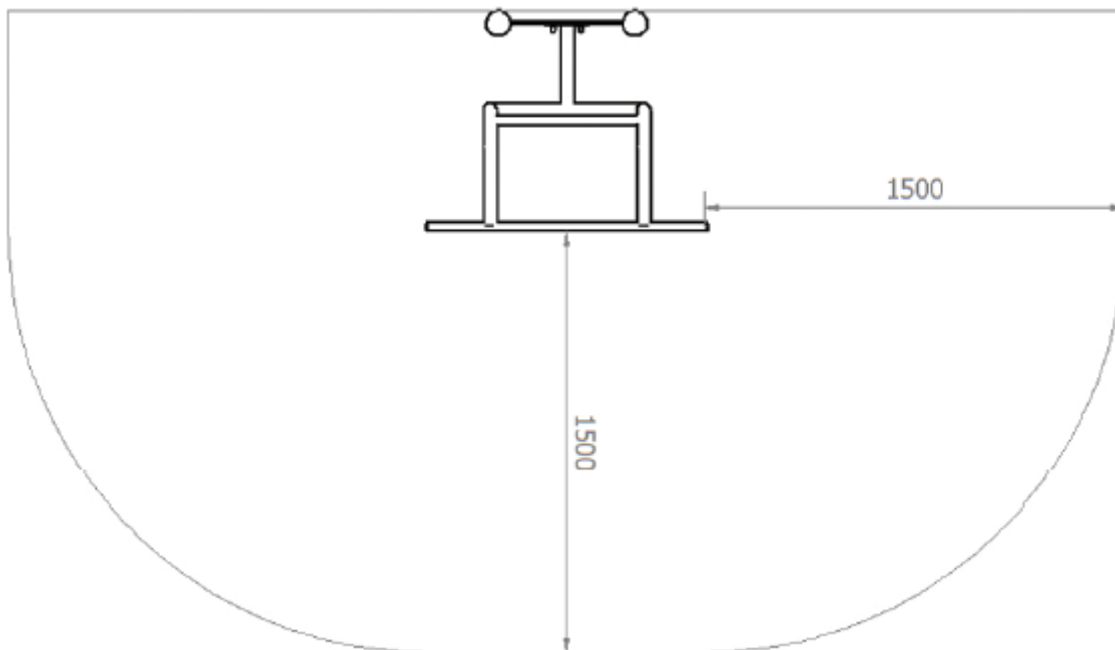
FITNESS F1-76

Catalogue No.: F1-76



Dimensions	1,00 m x 0,74 m x 2,30 m
Safe zone	4,00 m x 2,24 m
Number of users	1
Materials	- carbon or stainless steel tubes - galvanised carbon or stainless steel fasteners - polyamide end caps
Maximum weight	150 kg
Minimum height	140 cm

Safe zone



Description

The machine favourable for general development of our body. It allows to build up the abdomen muscles and strengthen the muscles of upper limbs.

The device construction made of stainless steel or of carbon steel with corrosion protection by galvanizing and powder coating. The fastening elements galvanized or of stainless steel, protected with coloured plastic covers.

Way of seating

The structure of the device is mounted to a pole or pylon anchored directly in the ground.

The manufacturer indicates that the real appearance of the above presented device may differ from visualization. All the construction or colouring changes are related to continuous process of device quality and aesthetics improvement.